

**DRINKING  
WATER  
APPROVED**

**Bowser  
Supply**



# Plastic Water Bowsers



**FOR FURTHER INFORMATION  
CONTACT OUR ROCHDALE SALES  
OFFICE ON: 01706 655131**



# 1000 Litre Drinking Water Bowser



These durable impact resistant polythene tanks are Water Council Approved for drinking water and have internal anti-surge baffles for ease of towing on the highway.

The units have a lockable tamper proof lid, covering the 400mm diameter access hatch, which incorporates the filler point and vent.

The polythene tank is mounted on a galvanised chassis unit, manufactured from Rolled Hollow Section, fitted with a single leaf-spring suspension axle. The

unit is manufactured to full highway specification, with overrun and lockable parking brakes and two 185 x 14" x 8 ply wheels and tyres will be fitted, underneath plastic mudguards.

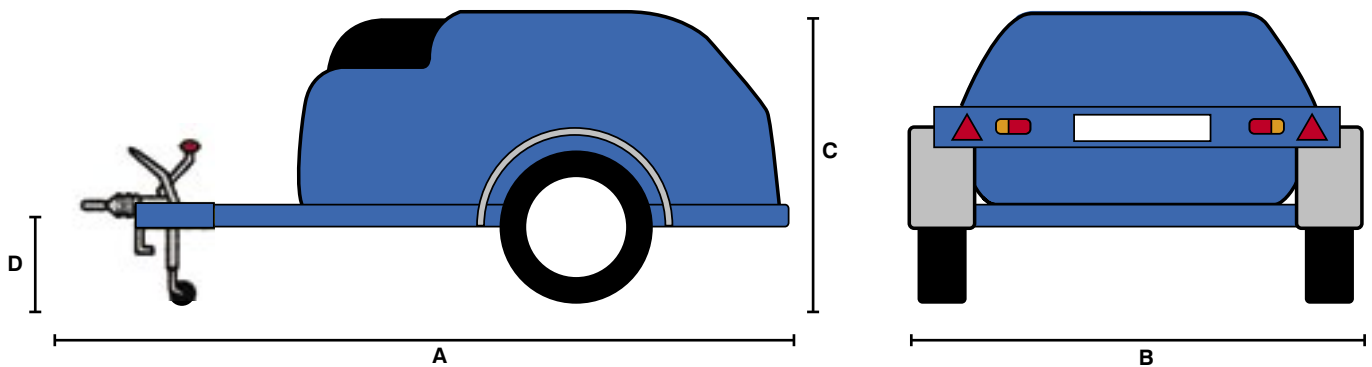
The hydraulically damped towing unit will be supplied with an eye or ball hitch (to suit your towing vehicle) with telescopic jockey wheel, and a prop stand will be fitted to the rear of the unit.

Our standard lighting board will be fitted, wired through the chassis and

connected to an international 7 pin plug.

The bowzers can also be supplied as a 'site' model. This model is designed specifically for off-road use, and will be fitted with an unbraked axle. No suspension mudguards or brakes will be supplied.

These bowzers are easily manoeuvrable and ideal for towing, and can lend themselves to many uses where water is required.



Model	Approximate Unladen Weight	Approximate Laden Weight	A	B	C	D
Plastic Ref: MH1000P 1000 Litre Highway Model	305KG	1305KG	2825mm	1530mm	1280mm	530mm
Plastic Ref: MS1000P 1000 Litre Site Model	265KG	1265KG	2685mm	1420mm	1230mm	460mm

**DRINKING  
WATER  
APPROVED**



**Bowser Supply Ltd**

Unit 8 Shawclough Industrial Estate  
Rochdale - Lancashire - OL12 6ND

Tel: 01706 655131 - Fax: 01706 655135

E mail: [enquiries@bowsersupply.com](mailto:enquiries@bowsersupply.com) - [www.bowsersupply.com](http://www.bowsersupply.com)

